

Cougar® Hazardous Location Electric Vibrators B-Series

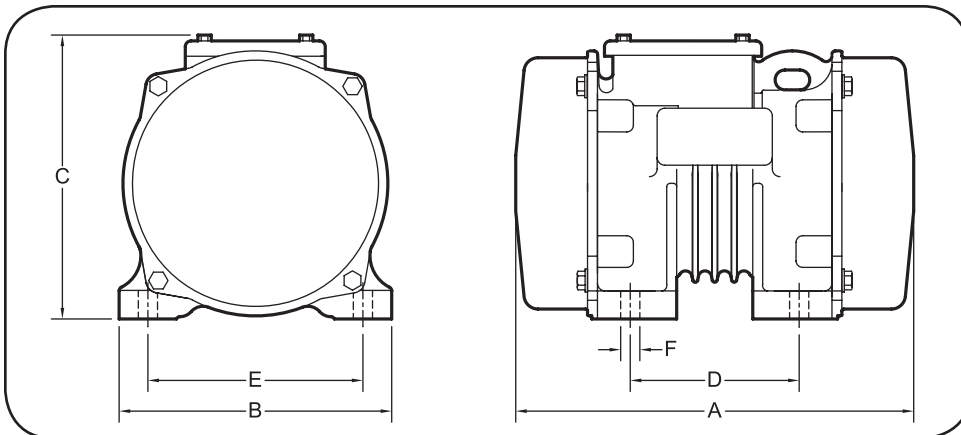


FEATURES

- UL Listed for Class II Group E, F & G, Division 1 & 2
- 1000 Force lb – 1750 RPM
- 230 volt/ 460 volt – 3 Phase
- Ductile Iron Bearing Housings
- Roller Bearings Designed for Vibration
- High Temperature Class H Windings

Specify Cougar for:

- Cost effective solutions
- Expert technical assistance
- Complete service and support



DIMENSIONS (inch)

Model	A	B	C	Bolt Pattern		Bolt Size	Weight lbs
				D	E	F	
B3X-1000-1A-4	11.625	7.75	8.313	5	6	½	44

PERFORMANCE DATA

Model	In. Lbs.	RPM	Force Lbs.	Amps			HP
				230 Volt	460 Volt	575 Volt	
B3X-1000-1A-4	11.50	1750	1000	2.30	1.20	0.70	½